

**WOLONG**

*Power your future*



# General Purpose Motors

NEMA B  
3 Phase, 60 Hz  
230/460V  
1 - 30 HP

# NEMA B Motors

## Sturdy Light Weight Design

Wolong general-purpose aluminum motors are widely used in a diverse range of applications from food and beverage to water and wastewater, HVAC, and refrigeration among others. Some of the benefits of aluminum over cast iron include, high resistance to most kinds of environmental corrosion, cooler running, and light weight. Aluminum frames and endshields are approximately one third the weight of cast iron making the motor significantly lighter.

### Benefits

- High efficiency for low running costs
- Low noise levels
- High torque with smooth acceleration and low current
- 3-year warranty



### Key Features

<b>NEMA Frames</b>	143 - 286
<b>Poles</b>	2, 4
<b>Horsepower Range</b>	1 - 30
<b>Voltage</b>	230/460
<b>Shaft Extension</b>	284 - 286 2-poles TS, all others T
<b>Agency Approvals</b>	UL1446 - Insulation System CSA - Certification/Efficiency
<b>Altitude</b>	3300 ft
<b>Maximum Ambient</b>	40°C @ 1.25SF @ 60Hz
<b>Bearing L10 Life</b>	Direct Coupled - 65,000 hrs
<b>Bearing Type</b>	Deep Groove Ball Bearings
<b>Conduit Box Rotation</b>	90 degree increments
<b>Div 2 Temp Codes</b>	Division 2 Class I Groups A, B, C and D T3 temp code
<b>Efficiency</b>	NEMA Premium
<b>Enclosure</b>	TEFC, IP55
<b>Field Modifiable to F2</b>	Yes
<b>Frequency</b>	60Hz or Variable on PWM drive
<b>Insulation</b>	Class F Non-Hygroscopic and Anti-Fungus

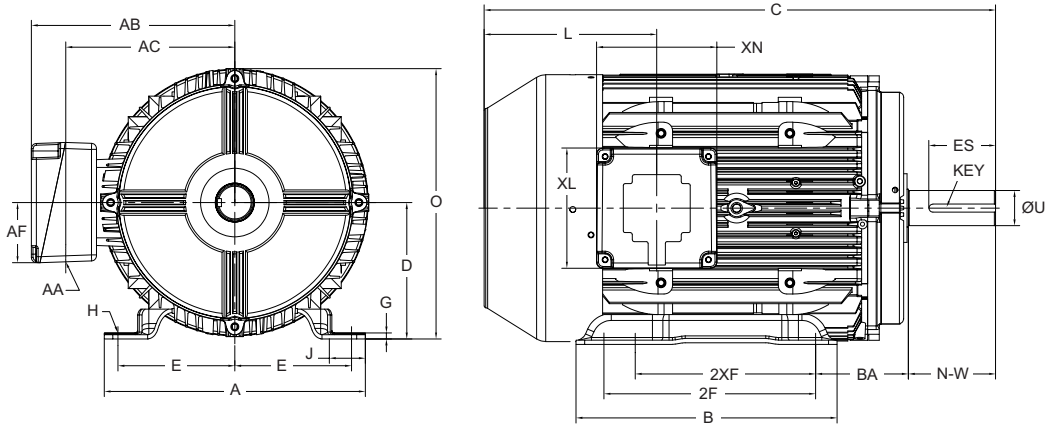
<b>Inverter Capabilities</b>	NEMA MG1 Part 31 VFD only 60Hz 5:1 Constant Torque @ 100% TN 15:1 Constant Torque @ 66.7%TN 20:1 Variable Torque
<b>Lifting</b>	Eyebolts for motors above 50 lbs. No lifting means for 140 frame
<b>Material</b>	Conduit Box: FS140: Steel / FS180 ~ FS280: Alum. Endshield: Aluminum Fan: Non-Sparking Fan Cover: Steel Frame: Aluminum
<b>Mounting</b>	Horizontal Foot Mounted / C-Face
<b>Mounting Holes</b>	Dual drilled for multiple frame mounting except FS215 motor
<b>NEMA Design</b>	B
<b>Service Factor</b>	1.25
<b>Shaft</b>	45# steel
<b>Sound Power</b>	NEMA MG1 Part 9
<b>Tests</b>	NEMA Routine
<b>Vibration</b>	NEMA Grade A. 2-pole motors tested on rigid base.
<b>Winding Temp. Rise</b>	Class B @ 1.0SF



## ▼ Ratings

NEMA B (IP55)			Foot Mounted			C-Face		
HP	RPM	Volts	Frame	Cat. No.	Model No.	Frame	Cat. No.	Model No.
1	3600	230/460	143T	<b>WV577</b>	5KS143BWW120	143TC	<b>WV578</b>	5KS143KWW101
1	1800	230/460	143T	<b>WV000</b>	5KS143BWW205	143TC	<b>WV100</b>	5KS143KWW205
1.5	3600	230/460	143T	<b>WV001</b>	5KS143BWW105	143TC	<b>WV101</b>	5KS143KWW105
1.5	1800	230/460	145T	<b>WV002</b>	5KS145BWW201	145TC	<b>WV102</b>	5KS145KWW201
2	3600	230/460	145T	<b>WV003</b>	5KS145BWW105	145TC	<b>WV103</b>	5KS145KWW105
2	1800	230/460	145T	<b>WV004</b>	5KS145BWW205	145TC	<b>WV104</b>	5KS145KWW205
3	3600	230/460	182T	<b>WV005</b>	5KS182BWW105	182TC	<b>WV105</b>	5KS182KWW105
3	1800	230/460	182T	<b>WV006</b>	5KS182BWW205	182TC	<b>WV106</b>	5KS182KWW205
5	3600	230/460	184T	<b>WV007</b>	5KS184BWW105	184TC	<b>WV107</b>	5KS184KWW105
5	1800	230/460	184T	<b>WV008</b>	5KS184BWW205	184TC	<b>WV108</b>	5KS184KWW205
7.5	3600	230/460	213T	<b>WV009</b>	5KS213BWW105	213TC	<b>WV109</b>	5KS213KWW105
7.5	1800	230/460	213T	<b>WV010</b>	5KS213BWW205	213TC	<b>WV110</b>	5KS213KWW205
10	3600	230/460	215T	<b>WV011</b>	5KS215BWW105	215TC	<b>WV111</b>	5KS215KWW105
10	1800	230/460	215T	<b>WV012</b>	5KS215BWW205	215TC	<b>WV112</b>	5KS215KWW205
15	3600	230/460	254T	<b>WV013</b>	5KS254BWW105	254TC	<b>WV113</b>	5KS254KWW105
15	1800	230/460	254T	<b>WV014</b>	5KS254BWW205	254TC	<b>WV114</b>	5KS254KWW205
20	3600	230/460	256T	<b>WV015</b>	5KS256BWW105	256TC	<b>WV115</b>	5KS256KWW105
20	1800	230/460	256T	<b>WV016</b>	5KS256BWW205	256TC	<b>WV116</b>	5KS256KWW205
25	3600	230/460	284TS	<b>WV017</b>	5KS284BWW115	284TSC	<b>WV117</b>	5KS284KWW115
25	1800	230/460	284T	<b>WV018</b>	5KS284BWW205	284TC	<b>WV118</b>	5KS284KWW205
30	3600	230/460	286TS	<b>WV019</b>	5KS286BWW115	286TSC	<b>WV119</b>	5KS286KWW115
30	1800	230/460	286T	<b>WV020</b>	5KS286BWW205	286TC	<b>WV120</b>	5KS286KWW205

## Dimensions

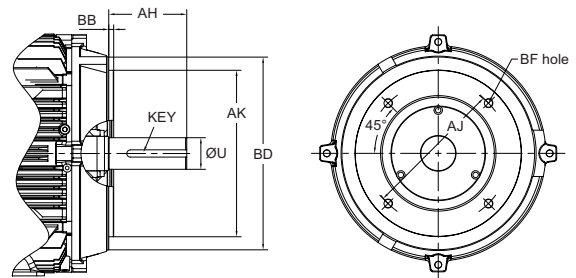


Frame	Weight (lbs)	Dimensions in Inches																	
		Shaft			Mounting			A	B	C	D	G	J	L	O				
		Key Width	Key Depth	Key Length	N-W	U	E									H	BA	2F	2XF
143T	40	0.188	0.188	1.457	2.250	0.875	2.75	0.39	2.25	5.00	4.00	6.46	6.00	13.02	3.50	0.16	1.13	4.75	7.00
145T	42	0.188	0.188	1.457	2.250	0.875	2.75	0.39	2.25	5.00	4.00	6.46	6.00	13.02*	3.50	0.16	1.13	4.75	7.00
182T	90	0.250	0.250	1.874	2.750	1.125	3.75	0.47	2.75	5.50	4.50	8.43	6.70	16.24	4.50	0.16	1.28	5.41	8.50
184T	102	0.250	0.250	1.874	2.750	1.125	3.75	0.47	2.75	5.50	4.50	8.43	6.70	16.24	4.50	0.16	1.28	5.41	8.50
213T	130	0.312	0.312	2.528	3.375	1.375	4.25	0.47	3.50	7.00	5.50	10.00	9.45	18.45	5.25	0.20	1.34	6.61	10.20
215T	150	0.312	0.312	2.528	3.375	1.375	4.25	0.47	3.50	7.00	5.50	10.00	8.19	19.95	5.25	0.20	1.34	6.61	10.20
254T	280	0.375	0.375	3.063	4.000	1.625	5.00	0.59	4.25	10.00	8.25	11.97	12.00	23.45	6.25	0.20	1.92	7.91	12.36
256T	280	0.375	0.375	3.063	4.000	1.625	5.00	0.59	4.25	10.00	8.25	11.97	12.00	23.45	6.25	0.20	1.92	7.91	12.36
284T	315	0.500	0.500	3.500	4.625	1.875	5.50	0.59	4.75	11.00	9.50	12.95	13.00	26.53	7.00	0.24	1.95	9.07	14.09
284TS	315	0.375	0.375	2.059	3.250	1.625	5.50	0.59	4.75	11.00	9.50	12.95	13.00	25.16	7.00	0.24	1.95	9.07	14.09
286T	368	0.500	0.500	3.500	4.625	1.875	5.50	0.59	4.75	11.00	9.50	12.95	13.00	26.53	7.00	0.24	1.95	9.07	14.09
286TS	368	0.375	0.375	2.059	3.250	1.625	5.50	0.59	4.75	11.00	9.50	12.95	13.00	25.16	7.00	0.24	1.95	9.07	14.09

\* 4 Pole 145T frame C Dim. - 14.07 inches

Frame	Nom. HP	Approx. Vol (inch <sup>3</sup> )	Conduit Box Dimensions in Inches					
			AA	AB	AC	AF	XL	XN
143 - 145	2	29	0.75	5.63	4.57	2.02	4.04	4.04
182 - 184	5	58	0.75	6.87	5.71	2.50	5.00	5.00
213 - 215	10	58	1.00	7.64	6.52	2.50	5.00	5.00
254 - 256	20	93	1.25	9.49	7.95	2.76	5.51	5.51
284 - 286	30	93	1.50	10.31	8.78	2.76	5.51	5.51

\* AA - Tapped NPT hole provided for conduit



Frame	C-Face Dimensions in Inches					
	AJ	AK	BB	BD	BF	AH
143TC / 145TC	5.87	4.50	0.125	6.50	0.37	2.12
182TC / 184TC	7.25	8.50	0.250	9.00	0.50	2.76
213TC / 215TC	7.25	8.50	0.250	9.00	0.50	3.34
254TC / 256TC	7.25	8.50	0.250	9.84	0.50	4.00
284TC / 286TC	9.00	10.50	0.250	11.25	0.50	4.61
284TSC / 286TSC	9.00	10.50	0.250	11.25	0.50	4.61



[www.gemotorswolong.com](http://www.gemotorswolong.com)

GE is a trademark of General Electric Company. Manufactured under trademark license.  
©2023, Wolong Electric America LLC. All rights reserved  
GEA33481-EN (5/2023)