

## Vertical Electric Motor Quick Application Data Sheet

Successful motor operation, performance, and life is critically dependent on understanding all application and environmental conditions. The information below is a basic starting point and depending on data provided follow-up questions may occur.

\* Fields in red must be completed before submitting.

<b>Customer*</b>	
<b>Contact*</b>	
<b>Phone/Email*</b>	
<b>Application*</b>	<i>Please describe in detail what motor is expected to do and machinery its operating?</i>
<b>Quantity*</b>	
Opportunity Description	<i>Please frame the opportunity: Budget for next year, replace failed unit, repair vs replace exercise, new installation, timing, spare, etc.</i>
Existing Motor Brand, Model and Serial Number	<i>Existing motor data sheet, drawings, or your company specification requirements.</i>
Application Failure History	
<b>Destination Country*</b>	

### MAIN INFORMATION

**Power Rating\***

HP kW

**Frame Size\***

NEMA IEC

**Service Factor\***

1.00 1.15 Other: \_\_\_\_\_

**Synchronous or Full Load Speed\***

\_\_\_\_\_ RPM

Motor Type: Induction (Squirrel Cage)  
Slip Ring (Wound Rotor) Synchronous

**Nameplate Voltage/Ph/Hz Rating\***

\_\_\_\_\_ Volts \_\_\_\_\_ Phase \_\_\_\_\_ Hertz

**Enclosure\***

TEFC (IC411)	TEPV(1C511)
TENV (IC410)	TEAAC (IC611)
TEAO (IC417)	WP-II (IC01)
WPI (IC01)	TEWAC (IC81W)
ODP (IC01)	TEBV (IC416)
	Other: _____

**NEMA Design\***

A B C Other: \_\_\_\_\_  
Maximum Ambient Temperature \_\_\_\_\_ °C  
(40°C is standard)  
Elevation \_\_\_\_\_ ft. (3300 ft. is standard)

**Starting Method**

- PWM (Pulse Width Modulated)  
Chopping Frequency \_\_\_\_\_ Hz
- Soft Starter
- VFD
- Auto-transformer (Tabs/time): \_\_\_\_\_
- Direct Outline
- Other: \_\_\_\_\_

**Connection**

- Part Winding Start
- WYE-start Delta-run
- WYE
- Other: \_\_\_\_\_

**Area Classification**

- Safe Area
- Class 1 Division 1
- Class 1 Division 2
- Hazardous location info:  
\_\_\_\_\_

**Special**

Starting Torque (LRT) \_\_\_\_\_ %  
Max torque (BDT) \_\_\_\_\_ %

**Ingress Protection**

IP \_\_\_\_\_

## APPLICATION INFORMATION

### Load Type

VT: Variable Torque      CHP: Constant Horse Power

CT: Constant Torque      Other: \_\_\_\_\_

Attach Speed Torque Curve if available: \_\_\_\_\_

### Load Inertia

\_\_\_\_\_ lb-ft<sup>2</sup> at the motor shaft

### Load Connection

Direct Drive      Belt Drive (Complete Data Sheet)

### Shaft Type\*

Vertical Solid Shaft      Vertical Hollow Shaft

### Thrust Class\*

Normal      Inline      High

Extra High (indicate % below)

### Thrust Load (lbs)

Max. Continuous downthrust \_\_\_\_\_

Max. Momentary upthrust \_\_\_\_\_

Max. Continuous upthrust \_\_\_\_\_

Min. Operating downthrust \_\_\_\_\_

### P-Base Diameter\*

\_\_\_\_\_ inches

### Top Coupling

Non-reverse      Self-release

Bolted      None

Bore (BX) \_\_\_\_\_ inches

Keyway (EW) \_\_\_\_\_ inches

CD Height \_\_\_\_\_ inches

## ACCESSORIES

### Bearing Protection

Thrust Brg. Only      All Brgs

RTD \_\_\_\_\_ Ohms

Thermocouple type \_\_\_\_\_ Rev 3.0    12/04/2023

Insulate Bearing

Shaft Grounding Ring (lower bearing only)

Yes      No

Stabilizer (steady) Bushing (VHS only)

Yes      No

### Winding Protection

RTD \_\_\_\_\_ Ohms

Quantity \_\_\_\_\_

Thermocouple Type \_\_\_\_\_

Quantity \_\_\_\_\_

Thermistor Relay Voltage \_\_\_\_\_ Volts

Quantity \_\_\_\_\_

Thermostat      Normally Open      Normally Closed

Quantity \_\_\_\_\_

### Space Heater

Standard      Thermostatically Controlled

Relay Voltage \_\_\_\_\_

### Additional Nameplate Requirements

Specify: \_\_\_\_\_

### Paint

Epoxy Modified Polyester

3-part Carboline

Polyurethane

Other: \_\_\_\_\_

Standard Color

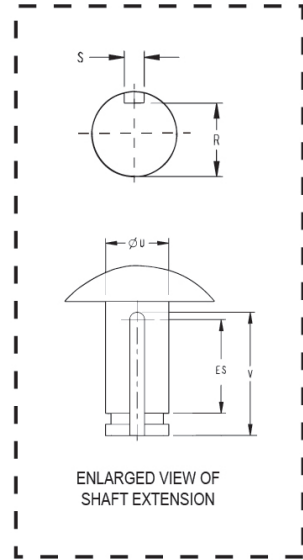
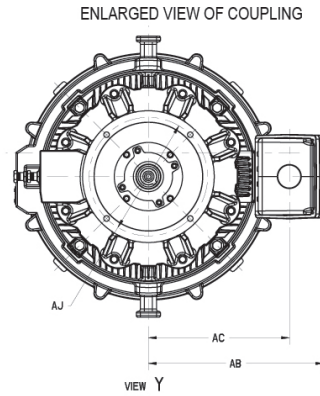
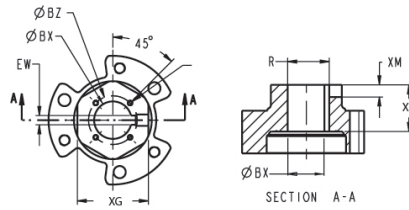
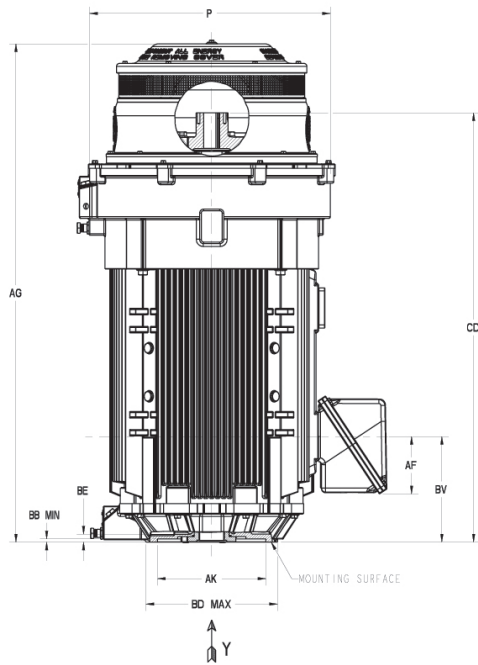
Special Color

Color: \_\_\_\_\_

## Additional Features, Modifications or Special Comments

# Application Motor Dimensions

## Hollow and Solid Shaft motors



### Hollow Shaft Motor

### Solid Shaft Motor

Dimension	Measurement
P	
AG	
BE	
BB MIN	
AK	
BD MAX	
AF	
BV	
CD	
EW	
XG	
BX	
XM	
XR	
AJ	
AC	
AB	

Dimension	Measurement
P	
AG	
BE	
BB MIN	
AK	
BD MAX	
AF	
BV	
CD	
AJ	
AC	
AB	
V	
ES	
U	
S	
R	

Please send completed Application Form to [contact@wolongamerica.com](mailto:contact@wolongamerica.com) or your assigned inside sales representative.

+1(888) 525-2915 [www.wolongamerica.com](http://www.wolongamerica.com)