

WOLONG

Power your future



General Purpose Cast Iron Motors

NEMA B
3 Phase, 60 Hz
230/460V
1 - 60 HP

NEMA B Motors

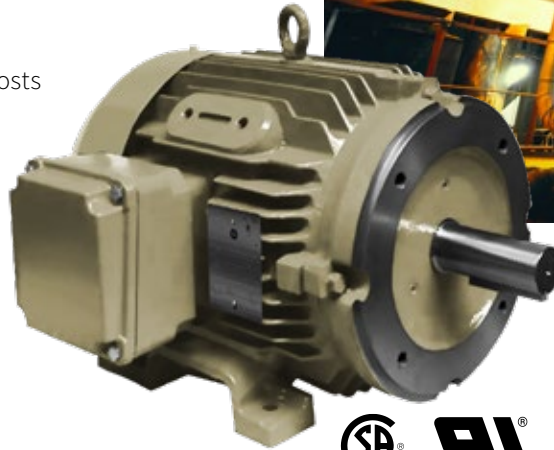
Robust and Reliable Design

Wolong general-purpose cast iron motors are widely used in a diverse range of applications in severe-duty industrial environments such as petroleum, chemical pulp and paper, water and wastewater, mining and mineral processing among others.

These motors feature heavy-duty cast iron frames, endshields, and conduit boxes, heavy gauge steel fan covers, and non-sparking fans and are proven to thrive in severe applications.

Benefits

- High efficiency for low running costs
- Low noise levels
- High torque with smooth acceleration and low current
- 3-year warranty



Key Features

NEMA Frames	143 - 364
Poles	2, 4
Horsepower Range	1 - 60
Voltage	208-230/460
Shaft Extension	284-365 2 poles TS, all others T
Agency Approvals	CSA - Certification / Efficiency
Altitude	3300 ft
Maximum Ambient	40°C @ 1.25SF @ 60Hz
Bearing L10 Life	Direct Coupled - 65,000 hrs
Bearing Type	Deep Groove Ball Bearings
Conduit Box Rotation	90 degree increments
Div 2 Temp Codes	Division 2 Class I Groups A, B, C, D, Zone 2; Groups IIA & IIB T3 with VFD
Efficiency	NEMA Premium
Enclosure	TEFC, IP55
Field Modifiable to F2	Yes with repositional feet
Frequency	60Hz or Variable on PWM drive
Insulation	Class F, Class B Temperature Rise, Non-Hygroscopic, and Anti-Fungus

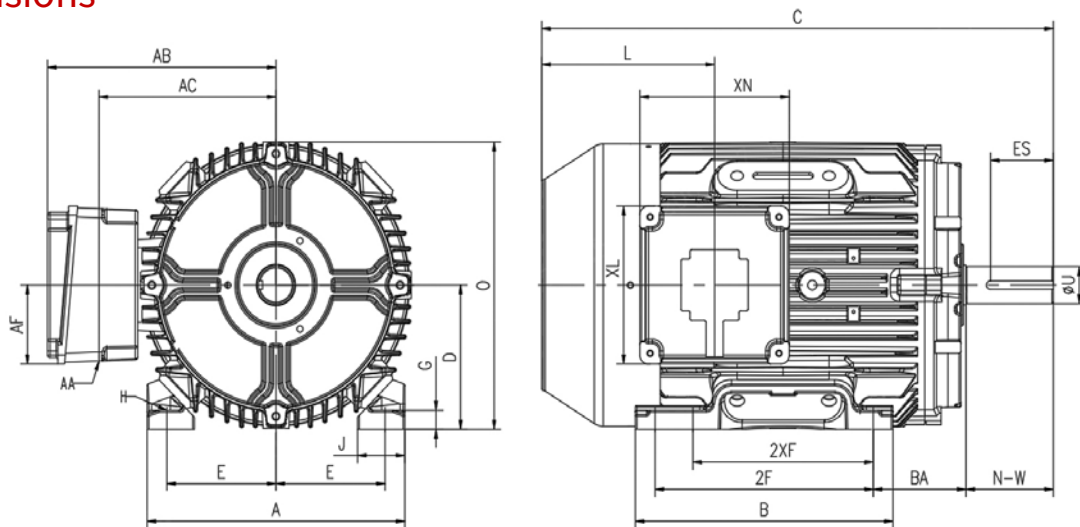
Inverter Capabilities	NEMA MG1 Part 31 VFD 5:1 Constant Torque 10:1 Variable Torque
Lifting	Eyebolt
Material	Conduit Box: Cast Iron Endshield: Cast Iron Fan: Non-Sparking Fan Cover: Heavy Gauge Steel Frame: Cast Iron
Mounting	Horizontal Foot Mounted / C-Face
Mounting Holes	Dual drilled for multiple mounting
NEMA Design	B
Service Factor	1.25
Shaft	45# steel
Sound Power	NEMA MG1 Part 9
Tests	NEMA Routine
Vibration	NEMA Grade A. 2-pole motors tested on rigid base.
Winding Temp. Rise	Class B @ 1.0SF



▼ Ratings

NEMA B (IP55)			Foot Mounted			C-Face		
HP	RPM	Volts	Frame	Cat. No.	Model No.	Frame	Cat. No.	Model No.
1	3600	208-230/460	143T	WV659	5KS143BWC120	-	-	-
1	1800	208-230/460	143T	WV660	5KS143BWC205	143TC	WV580	5KS143KWC205
1.5	3600	208-230/460	143T	WV658	5KS143BWC105	-	-	-
1.5	1800	208-230/460	-	-	-	143TC	WV579	5KS143KWC105
2	3600	208-230/460	145T	WV661	5KS145BWC105	145TC	WV581	5KS145KWC105
2	1800	208-230/460	145T	WV663	5KS145BWC220	-	-	-
3	3600	208-230/460	182T	WV665	5KS182BWC105	182TC	WV584	5KS182KWC105
3	1800	208-230/460	182T	WV666	5KS182BWC205	182TC	WV585	5KS182KWC205
5	3600	208-230/460	184T	WV669	5KS184BWC105	184TC	WV588	5KS184KWC105
5	1800	208-230/460	184T	WV672	5KS184BWC205	184TC	WV589	5KS184KWC205
7.5	3600	208-230/460	213T	WV677	5KS213BWC105	213TC	WV592	5KS213KWC105
7.5	1800	208-230/460	213T	WV678	5KS213BWC205	213TC	WV593	5KS213KWC205
10	3600	208-230/460	215T	WV681	5KS215BWC105	215TC	WV596	5KS215KWC105
10	1800	208-230/460	215T	WV682	5KS215BWC205	215TC	WV597	5KS215KWC205
15	3600	208-230/460	254T	WV687	5KS254BWC105	254TC	WV600	5KS254KWC105
15	1800	208-230/460	254T	WV688	5KS254BWC205	254TC	WV601	5KS254KWC205
20	3600	208-230/460	256T	WV693	5KS256BWC105	256TC	WV604	5KS256KWC105
20	1800	208-230/460	256T	WV694	5KS256BWC205	256TC	WV605	5KS256KWC205
25	3600	208-230/460	284TS	WV697	5KS284BWC115	284TSC	WV608	5KS284KWC115
25	1800	208-230/460	284T	WV698	5KS284BWC205	284TC	WV609	5KS284KWC205
30	3600	208-230/460	286TS	WV701	5KS286BWC115	286TSC	WV612	5KS286KWC115
30	1800	208-230/460	286T	WV702	5KS286BWC205	286TC	WV613	5KS286KWC205
40	3600	208-230/460	324TS	WV705	5KS324BWC115	324TSC	WV616	5KS324KWC115
40	1800	208-230/460	324T	WV706	5KS324BWC205	324TC	WV617	5KS324KWC205
50	3600	208-230/460	326TS	WV709	5KS326BWC115	326TSC	WV620	5KS326KWC115
50	1800	208-230/460	326T	WV710	5KS326BWC205	326TC	WV621	5KS326KWC205
60	3600	208-230/460	364TS	WV713	5KS364BWC115	364TSC	WV624	5KS364KWC115
60	1800	208-230/460	364T	WV714	5KS364BWC205	364TC	WV625	5KS364KWC205

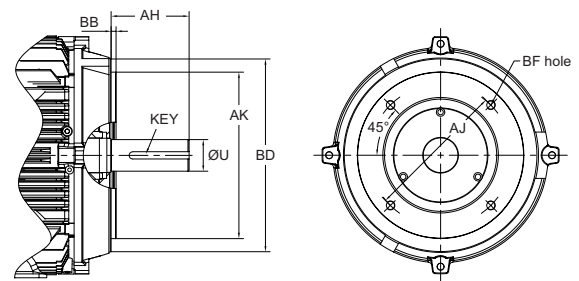
Dimensions



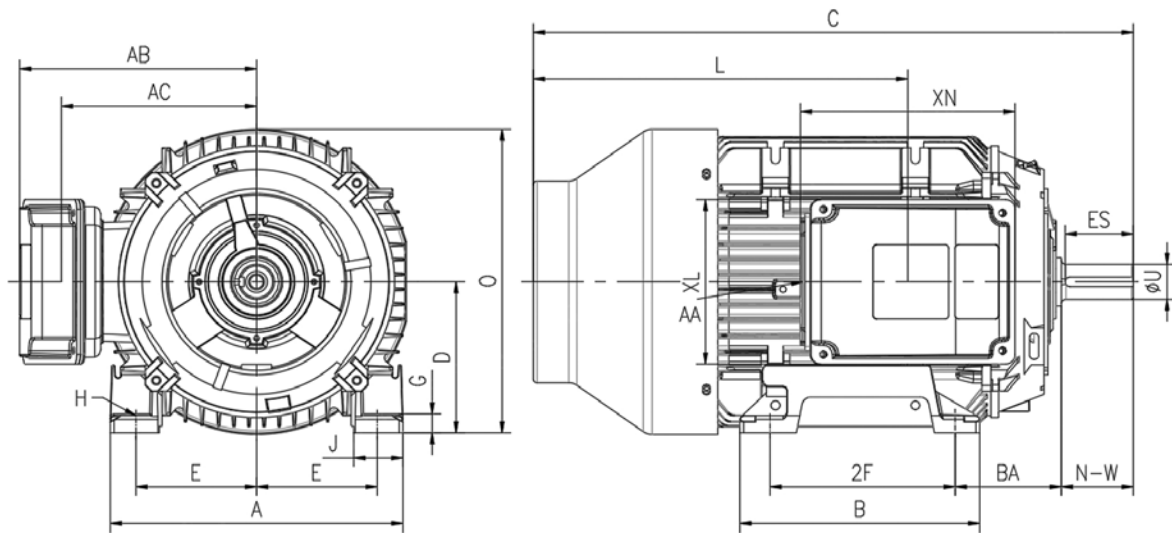
Frame	Weight (lbs)	Dimensions in Inches																			
		Shaft						Mounting						A	B	C	D	G	J	L	O
		Key			N-W	U	E	H	BA	2F	2XF										
Width	Depth	Length																			
143T	40	0.188	0.188	1.457	2.25	0.875	2.75	0.39	2.25	5.00	4.00	6.89	6.10	13.02	3.50	0.43	1.38	4.73	7.24		
145T	42	0.188	0.188	1.457	2.25	0.875	2.75	0.39	2.25	5.00	4.00	6.89	6.10	13.02	3.50	0.43	1.38	4.73	7.24		
145T	42	0.188	0.188	1.457	2.25	0.875	2.75	0.39	2.25	5.00	4.00	6.89	6.10	14.07	3.50	0.43	1.38	4.73	7.24		
182T	90	0.250	0.250	1.874	2.75	1.125	3.75	0.47	2.75	5.50	4.50	9.06	7.17	16.24	4.50	0.72	1.57	5.41	9.04		
184T	102	0.250	0.250	1.874	2.75	1.125	3.75	0.47	2.75	5.50	4.50	9.06	7.17	16.24	4.50	0.72	1.57	5.41	9.04		
213T	130	0.312	0.312	2.528	3.38	1.375	4.25	0.47	3.50	7.00	5.50	10.3	8.66	19.95	5.25	0.65	1.85	6.93	10.37		
215T	150	0.312	0.312	2.528	3.38	1.375	4.25	0.47	3.50	7.00	5.50	10.3	8.66	19.95	5.25	0.65	1.85	6.93	10.37		
254T	280	0.375	0.375	3.063	4.00	1.625	5.00	0.59	4.25	10.0	8.25	11.97	11.8	23.45	6.25	0.87	2.17	7.91	12.36		
256T	280	0.375	0.375	3.063	4.00	1.625	5.00	0.59	4.25	10.0	8.25	11.97	11.8	23.45	6.25	0.87	2.17	7.91	12.36		
284T	315	0.500	0.500	3.500	4.63	1.875	5.50	0.59	4.75	11.0	9.50	13.54	12.8	26.53	7.00	0.87	2.52	9.22	14.09		
286TS	368	0.375	0.375	2.059	3.25	1.625	5.50	0.59	4.75	11.0	9.50	13.54	12.8	25.16	7.00	0.87	2.52	9.22	14.09		
286T	368	0.500	0.500	3.500	4.63	1.875	5.50	0.59	4.75	11.0	9.50	13.54	12.8	26.53	7.00	0.87	2.52	9.22	14.09		

Frame	Nom. HP	Approx. Vol (inch ³)	Conduit Box Dimensions in Inches					
			AA	AB	AC	AF	XL	XN
143-145	2	40	0.75	6.47	5.08	2.36	4.72	4.72
182-184	5	65	0.75	7.78	6.11	2.66	5.31	5.31
213-215	10	65	1.00	8.80	7.16	2.66	5.31	5.31
254-256	20	144	1.25	10.59	8.50	3.43	6.85	6.85
284-286	30	144	1.50	11.42	9.33	3.43	6.85	6.85

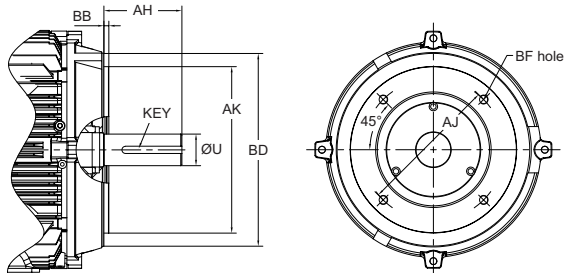
* A tapped NPT hole is provided for the conduit size listed in Column AA



Frame	C-Face Dimensions in Inches					
	AJ	AK	BB	BD	BF	AH
143TC-145TC	5.88	4.50	0.125	6.50	3/8-16	2.12
182TC-184TC	7.25	8.50	0.250	9.00	1/2-13	2.76
213TC-215TC	7.25	8.50	0.250	9.00	1/2-13	3.34
254TC-256TC	7.25	8.50	0.250	10.00	1/2-13	4.00
284TSC-286TSC	9.00	10.50	0.250	11.25	1/2-13	4.61
284TC-286TC	9.00	10.50	0.250	11.25	1/2-13	4.61



Frame	Weight (lbs)	Dimensions in Inches																		
		Shaft					Mounting						A	B	C	D	G	J	L	O
		Width	Depth	Length	N-W	U	E	H	BA	2F	2XF									
324T	650	0.500	0.500	5.039	5.25	2.125	6.25	0.68	5.25	10.50	15.25	12.50	32.75	1.00	2.50	19.50	16.14	19.50	16.14	
324TS	650	0.500	0.500	3.543	3.75	1.875	6.25	0.68	5.25	10.50	15.25	12.50	31.25	1.00	2.50	19.50	16.14	19.50	16.14	
326T	750	0.500	0.500	5.039	5.25	2.125	6.25	1.07	5.25	12.00	15.25	14.50	34.05	1.00	2.50	21.00	16.14	21.00	16.14	
326TS	750	0.500	0.500	3.543	3.75	1.875	6.25	1.07	5.25	12.00	15.25	14.50	32.55	1.00	2.50	21.00	16.14	21.00	16.14	
364T	914	0.625	0.625	5.512	5.88	2.375	7.00	0.68	5.88	11.25	16.75	14.00	36.38	1.13	2.75	22.40	17.63	22.40	17.63	
364TS	914	0.500	0.500	3.543	3.75	1.875	7.00	0.68	5.88	11.25	16.75	14.00	34.25	1.13	2.75	22.40	17.63	22.40	17.63	
365T	1050	0.625	0.625	5.512	5.88	2.375	7.00	0.68	5.88	12.25	16.75	14.72	38.51	1.13	2.75	24.50	17.63	24.50	17.63	
365TS	1050	0.500	0.500	3.543	3.75	1.875	7.00	0.68	5.88	12.25	16.75	14.72	36.38	1.13	2.75	24.50	17.63	24.50	17.63	
404T	1384	0.750	0.750	6.890	7.25	2.875	8.00	1.03	6.62	12.25	19.00	15.00	42.10	1.13	3.13	26.30	20.00	26.30	20.00	
405T	1384	0.750	0.750	6.890	7.25	2.875	8.00	1.03	6.62	13.75	19.00	16.50	42.10	1.13	3.13	26.30	20.00	26.30	20.00	
405TS	1384	0.500	0.500	3.543	4.25	2.125	8.00	1.03	6.62	13.75	19.00	16.50	39.00	1.13	3.13	26.30	20.00	26.30	20.00	
444T	1512	0.875	0.875	7.480	8.50	3.375	9.00	1.03	7.50	14.50	21.25	17.20	46.60	1.13	3.25	25.70	22.13	25.70	22.13	
444TS	1512	0.625	0.625	4.528	4.75	2.375	9.00	1.03	7.50	14.50	21.25	17.20	42.85	1.13	3.25	25.70	22.13	25.70	22.13	
445T	1896	0.875	0.875	7.480	8.50	3.375	9.00	1.03	7.50	16.50	21.25	19.20	49.63	1.38	3.25	28.50	22.13	28.50	22.13	
445TS	1896	0.625	0.625	4.528	4.75	2.375	9.00	1.03	7.50	16.50	21.25	19.20	45.88	1.38	3.25	28.50	22.13	28.50	22.13	
447T	2300	0.875	0.875	7.480	8.50	3.375	9.00	1.03	7.50	20.00	21.25	19.20	49.63	1.38	3.25	28.50	22.13	28.50	22.13	
447TS	2300	0.625	0.625	4.528	4.75	2.375	9.00	1.03	7.50	20.00	21.25	19.20	45.88	1.38	3.25	28.50	22.13	28.50	22.13	



Frame	Nom. HP	Approx. Vol (inch ³)	Conduit Box Dimensions in Inches					
			AA	AB	AC	AF	XL	XN
324-326	50	305	2.00	12.88	10.63	/	8.75	11.38
364-365	75	402	3.00	14.25	12.00	/	8.75	15.00
404-405	100	402	3.00	15.50	13.25	/	8.75	15.00
444-447	200	806	3.00	20.75	16.00	/	13.00	20.25

* A tapped NPT hole is provided for the conduit size listed in Column AA

Frame	C-Face Dimensions in Inches					
	AJ	AK	BB	BD	BF	AH
324TSC-326TSC	11.00	12.50	0.250	14.00	5/8-11	3.50
324TC-326TC	11.00	12.50	0.250	14.00	5/8-11	5.00
364TSC-365TSC	11.00	12.50	0.250	14.00	5/8-11	3.50
364TC-365TC	11.00	12.50	0.250	14.00	5/8-11	5.62

WOLONG

Power your future



www.wolongamerica.com

GE is a trademark of General Electric Company. Manufactured under trademark license.
©2023, Wolong Electric America LLC. All rights reserved
GEA33482-EN (11/2023)