

WOLONG

Power your future



General Purpose Aluminum Motors

NEMA B
3 Phase, 60 Hz
230/460V
1 - 30 HP

NEMA B Motors

Sturdy Light Weight Design

Wolong general-purpose aluminum motors are widely used in a diverse range of applications from food and beverage to water and wastewater, HVAC, and refrigeration among others. Some of the benefits of aluminum over cast iron include, high resistance to most kinds of environmental corrosion, cooler running, and light weight. Aluminum frames and endshields are approximately one third the weight of cast iron making the motor significantly lighter.

Benefits

- High efficiency for low running costs
- Low noise levels
- High torque with smooth acceleration and low current
- 3-year warranty



Key Features

NEMA Frames	143 - 286
Poles	2, 4
Horsepower Range	1 - 30
Voltage	230/460
Shaft Extension	284 - 286 2-poles TS, all others T
Agency Approvals	UL1446 - Insulation System CSA - Certification/Efficiency
Altitude	3300 ft
Maximum Ambient	40°C @ 1.25SF @ 60Hz
Bearing L10 Life	Direct Coupled - 65,000 hrs
Bearing Type	Deep Groove Ball Bearings
Conduit Box Rotation	90 degree increments
Div 2 Temp Codes	Division 2 Class I Groups A, B, C and D T3 temp code
Efficiency	NEMA Premium
Enclosure	TEFC, IP55
Field Modifiable to F2	Yes
Frequency	60Hz or Variable on PWM drive
Insulation	Class F Non-Hygroscopic and Anti-Fungus

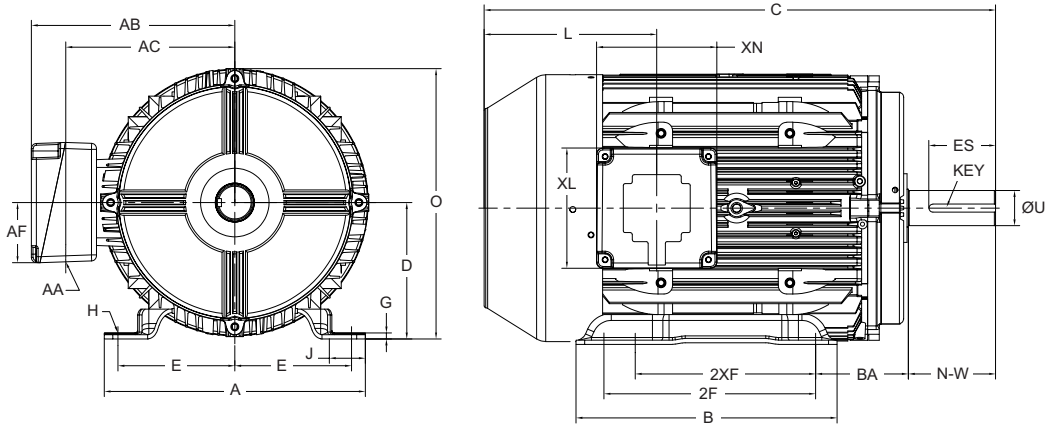
Inverter Capabilities	NEMA MG1 Part 31 VFD only 60Hz 5:1 Constant Torque @ 100% TN 15:1 Constant Torque @ 66.7%TN 20:1 Variable Torque
Lifting	Eyebolts for motors above 50 lbs. No lifting means for 140 frame
Material	Conduit Box: FS140: Steel / FS180 ~ FS280: Alum. Endshield: Aluminum Fan: Non-Sparking Fan Cover: Steel Frame: Aluminum
Mounting	Horizontal Foot Mounted / C-Face
Mounting Holes	Dual drilled for multiple frame mounting except FS215 motor
NEMA Design	B
Service Factor	1.25
Shaft	45# steel
Sound Power	NEMA MG1 Part 9
Tests	NEMA Routine
Vibration	NEMA Grade A. 2-pole motors tested on rigid base.
Winding Temp. Rise	Class B @ 1.0SF



▼ Ratings

NEMA B (IP55)			Foot Mounted			C-Face		
HP	RPM	Volts	Frame	Cat. No.	Model No.	Frame	Cat. No.	Model No.
1	3600	230/460	143T	WV577	5KS143BWW120	143TC	WV578	5KS143KWW101
1	1800	230/460	143T	WV000	5KS143BWW205	143TC	WV100	5KS143KWW205
1.5	3600	230/460	143T	WV001	5KS143BWW105	143TC	WV101	5KS143KWW105
1.5	1800	230/460	145T	WV002	5KS145BWW201	145TC	WV102	5KS145KWW201
2	3600	230/460	145T	WV003	5KS145BWW105	145TC	WV103	5KS145KWW105
2	1800	230/460	145T	WV004	5KS145BWW205	145TC	WV104	5KS145KWW205
3	3600	230/460	182T	WV005	5KS182BWW105	182TC	WV105	5KS182KWW105
3	1800	230/460	182T	WV006	5KS182BWW205	182TC	WV106	5KS182KWW205
5	3600	230/460	184T	WV007	5KS184BWW105	184TC	WV107	5KS184KWW105
5	1800	230/460	184T	WV008	5KS184BWW205	184TC	WV108	5KS184KWW205
7.5	3600	230/460	213T	WV009	5KS213BWW105	213TC	WV109	5KS213KWW105
7.5	1800	230/460	213T	WV010	5KS213BWW205	213TC	WV110	5KS213KWW205
10	3600	230/460	215T	WV011	5KS215BWW105	215TC	WV111	5KS215KWW105
10	1800	230/460	215T	WV012	5KS215BWW205	215TC	WV112	5KS215KWW205
15	3600	230/460	254T	WV013	5KS254BWW105	254TC	WV113	5KS254KWW105
15	1800	230/460	254T	WV014	5KS254BWW205	254TC	WV114	5KS254KWW205
20	3600	230/460	256T	WV015	5KS256BWW105	256TC	WV115	5KS256KWW105
20	1800	230/460	256T	WV016	5KS256BWW205	256TC	WV116	5KS256KWW205
25	3600	230/460	284TS	WV017	5KS284BWW115	284TSC	WV117	5KS284KWW115
25	1800	230/460	284T	WV018	5KS284BWW205	284TC	WV118	5KS284KWW205
30	3600	230/460	286TS	WV019	5KS286BWW115	286TSC	WV119	5KS286KWW115
30	1800	230/460	286T	WV020	5KS286BWW205	286TC	WV120	5KS286KWW205

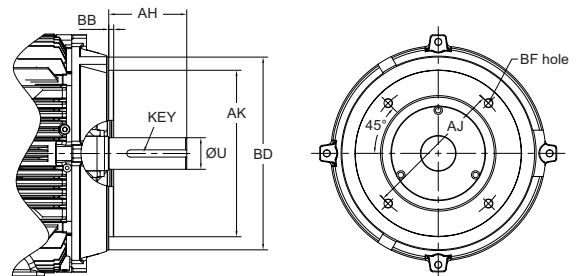
Dimensions



Frame	Weight (lbs)	Dimensions in Inches																	
		Shaft			Mounting			A	B	C	D	G	J	L	O				
		Key Width	Key Depth	Key Length	N-W	U	E									H	BA	2F	2XF
143T	40	0.188	0.188	1.457	2.250	0.875	2.75	0.39	2.25	5.00	4.00	6.46	6.00	13.02	3.50	0.16	1.13	4.75	7.00
145T	42	0.188	0.188	1.457	2.250	0.875	2.75	0.39	2.25	5.00	4.00	6.46	6.00	13.02*	3.50	0.16	1.13	4.75	7.00
182T	90	0.250	0.250	1.874	2.750	1.125	3.75	0.47	2.75	5.50	4.50	8.43	6.70	16.24	4.50	0.16	1.28	5.41	8.50
184T	102	0.250	0.250	1.874	2.750	1.125	3.75	0.47	2.75	5.50	4.50	8.43	6.70	16.24	4.50	0.16	1.28	5.41	8.50
213T	130	0.312	0.312	2.528	3.375	1.375	4.25	0.47	3.50	7.00	5.50	10.00	9.45	18.45	5.25	0.20	1.34	6.61	10.20
215T	150	0.312	0.312	2.528	3.375	1.375	4.25	0.47	3.50	7.00	5.50	10.00	8.19	19.95	5.25	0.20	1.34	6.61	10.20
254T	280	0.375	0.375	3.063	4.000	1.625	5.00	0.59	4.25	10.00	8.25	11.97	12.00	23.45	6.25	0.20	1.92	7.91	12.36
256T	280	0.375	0.375	3.063	4.000	1.625	5.00	0.59	4.25	10.00	8.25	11.97	12.00	23.45	6.25	0.20	1.92	7.91	12.36
284T	315	0.500	0.500	3.500	4.625	1.875	5.50	0.59	4.75	11.00	9.50	12.95	13.00	26.53	7.00	0.24	1.95	9.07	14.09
284TS	315	0.375	0.375	2.059	3.250	1.625	5.50	0.59	4.75	11.00	9.50	12.95	13.00	25.16	7.00	0.24	1.95	9.07	14.09
286T	368	0.500	0.500	3.500	4.625	1.875	5.50	0.59	4.75	11.00	9.50	12.95	13.00	26.53	7.00	0.24	1.95	9.07	14.09
286TS	368	0.375	0.375	2.059	3.250	1.625	5.50	0.59	4.75	11.00	9.50	12.95	13.00	25.16	7.00	0.24	1.95	9.07	14.09

* 4 Pole 145T frame C Dim. - 14.07 inches

Frame	Nom. HP	Approx. Vol (inch ³)	Conduit Box Dimensions in Inches					
			AA	AB	AC	AF	XL	XN
143 - 145	2	29	0.75	5.63	4.57	2.02	4.04	4.04
182 - 184	5	58	0.75	6.87	5.71	2.50	5.00	5.00
213 - 215	10	58	1.00	7.64	6.52	2.50	5.00	5.00
254 - 256	20	93	1.25	9.49	7.95	2.76	5.51	5.51
284 - 286	30	93	1.50	10.31	8.78	2.76	5.51	5.51



* AA - Tapped NPT hole provided for conduit

Frame	C-Face Dimensions in Inches					
	AJ	AK	BB	BD	BF	AH
143TC / 145TC	5.87	4.50	0.125	6.50	0.37	2.12
182TC / 184TC	7.25	8.50	0.250	9.00	0.50	2.76
213TC / 215TC	7.25	8.50	0.250	9.00	0.50	3.34
254TC / 256TC	7.25	8.50	0.250	9.84	0.50	4.00
284TC / 286TC	9.00	10.50	0.250	11.25	0.50	4.61
284TSC / 286TSC	9.00	10.50	0.250	11.25	0.50	4.61



www.wolongamerica.com

GE is a trademark of General Electric Company. Manufactured under trademark license.
©2023, Wolong Electric America LLC. All rights reserved
GEA33481-EN (10/2023)